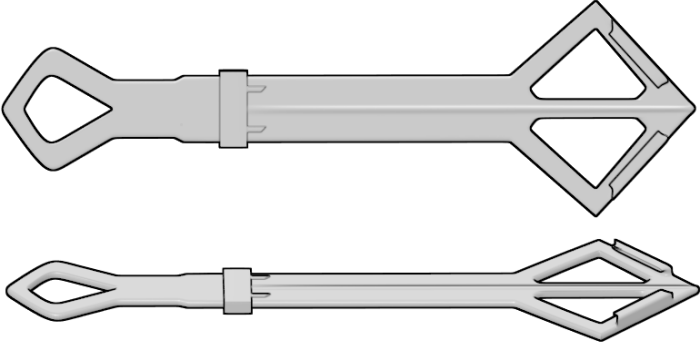
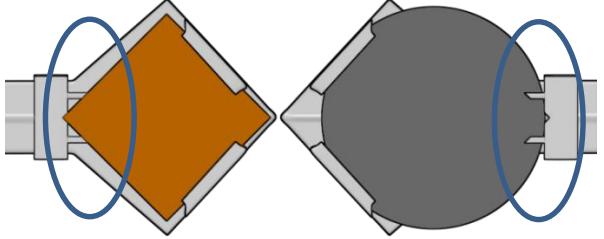
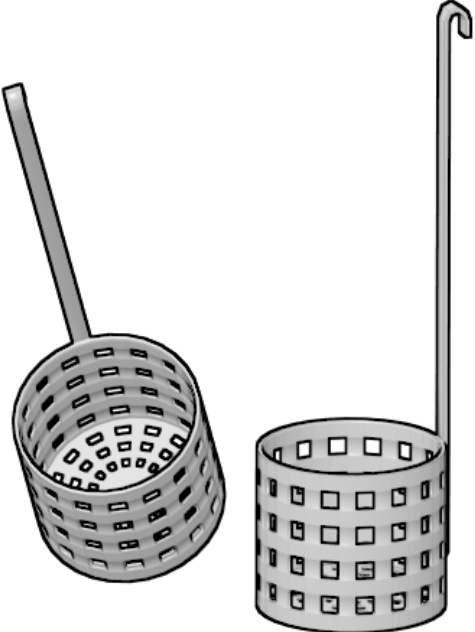
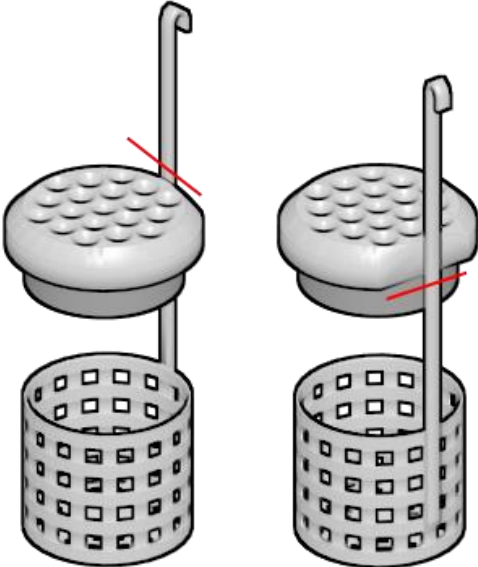
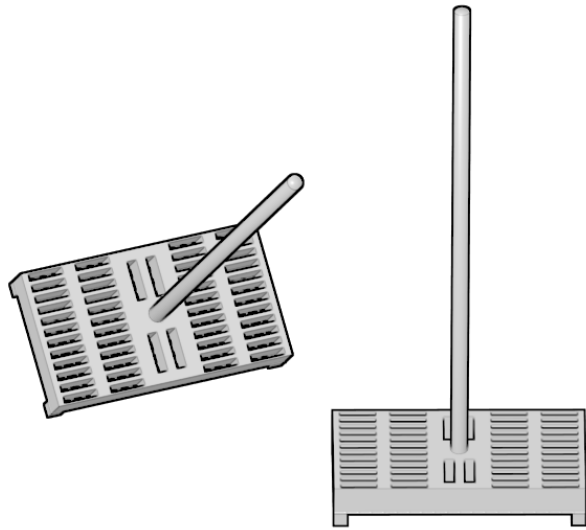


# Z 2

Holder	Description	Remarks
	<p><b><u>Arrow</u></b></p> <p><b>Principal use :</b></p> <ul style="list-style-type: none"> <li>• Mask Cleaning using Piranha/Remover</li> </ul> <p><b>Material :</b></p> <ul style="list-style-type: none"> <li>• PTFE</li> </ul> <p><b>Compatibility:</b></p> <ul style="list-style-type: none"> <li>• 6 inch wafer and mask</li> </ul>	<p>Not adapted for 4 inch wafers</p>  <p>Note that the mask's corner has to fit into the triangle insertion of the biding ring to be correctly held in place.(the biding ring's pin also helps) For the wafer, it is held by placing it in between the arrow's handle and the biding ring fingers.</p>
	<p><b><u>Basket</u></b></p> <p><b>Principal use :</b></p> <ul style="list-style-type: none"> <li>• Piranha</li> <li>• UFT remover</li> <li>• BHF (7:1)</li> <li>• PLade Metal (ANP, Ti etch, Silox, Poly etch)</li> </ul> <p><b>Material :</b></p> <ul style="list-style-type: none"> <li>• PTFE</li> </ul> <p><b>Compatibility:</b></p> <ul style="list-style-type: none"> <li>• Chips 1 inch wafer</li> </ul>	



**Chip holder #1**

**Principal use :**

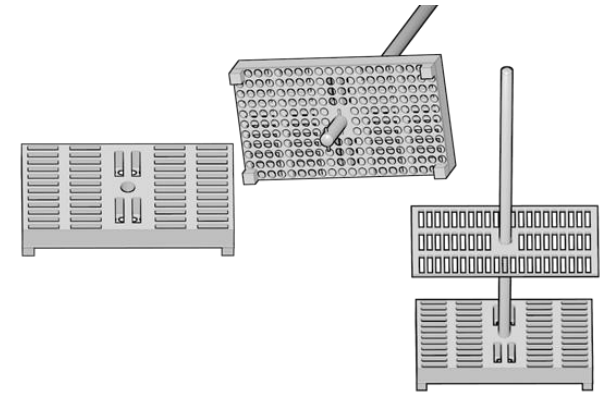
- Piranha
- UFT remover
- BHF (7:1)
- Plade Metal (ANP, Ti etch, Silox, Poly etch)

**Material :**

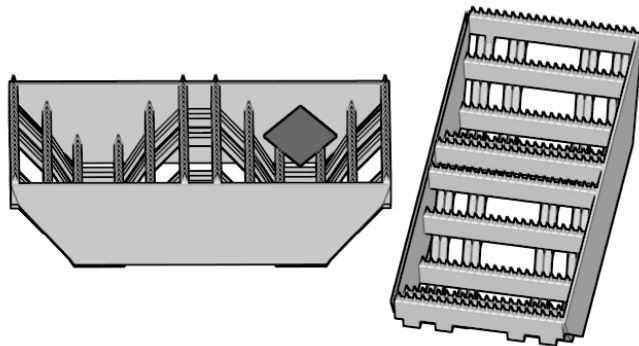
- PTFE

**Compatibility:**

- Chips



This holder can be dismantled. It is composed of 3 parts: The main carrier, the rod (to transfer it bath to bath) and the lid.



**Chip holder #2**

**Principal use :**

- Piranha
- UFT remover
- BHF (7:1)
- Plade Metal (ANP, Ti etch, Silox, Poly etch)

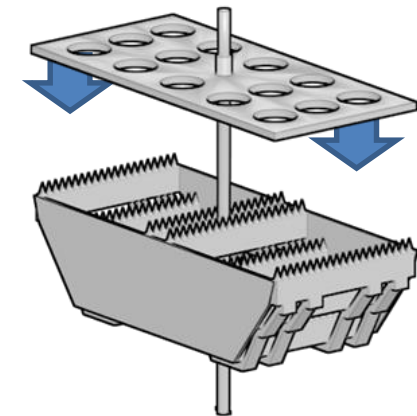
**Material :**

- PTFE

**Compatibility:**

- Chips, glass slides

This holder can be dismantled. It is composed of 3 parts: The main carrier, the rod (to transfer it bath to bath) and the lid.



### Chip holder #3

#### Principal use :

- Piranha
- UFT remover
- BHF (7:1)
- Plade Metal (ANP, Ti etch, Silox, Poly etch)

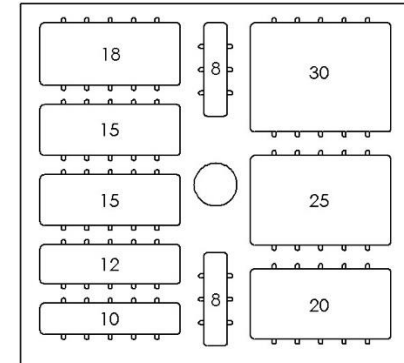
#### Material :

- PTFE

#### Compatibility:

- Chips (max. thickness ~ 525 um)

### Chips width (mm) :



This holder can to be dismantled. It is composed of 3 parts: The main carrier, the rod (to transfer it bath to bath) and the lid.

### Wafer Carrier

#### Principal use :

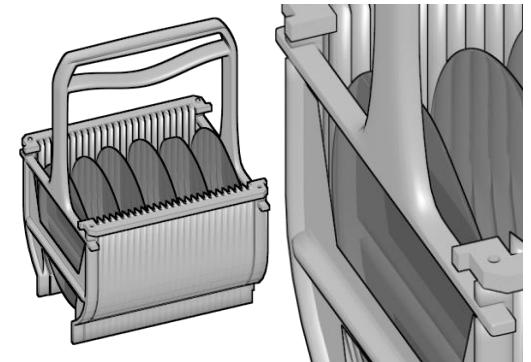
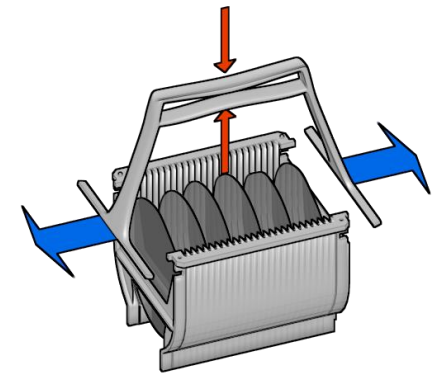
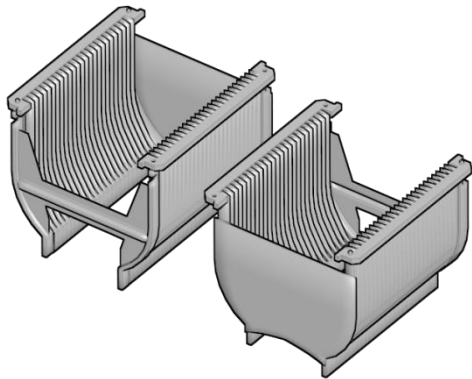
- Piranha
- UFT remover
- BHF (7:1)
- Plade Metal (ANP, Ti etch, Silox, Poly etch)

#### Material :

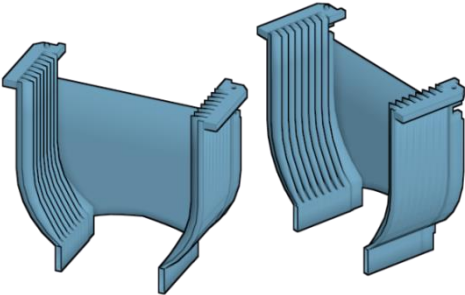
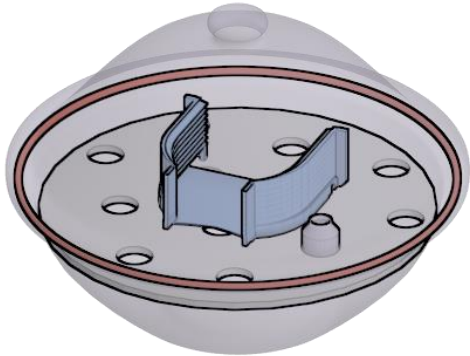
- PTFE

#### Compatibility:


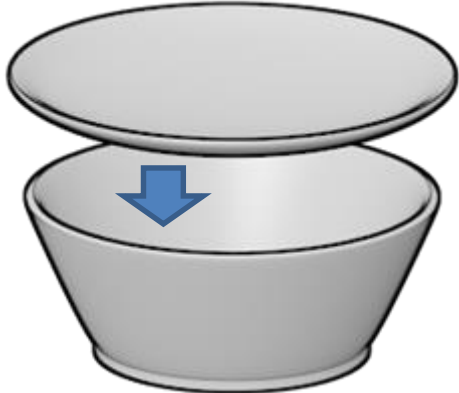
- 4 inch

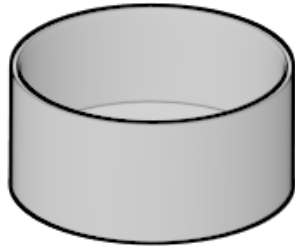


# Z 12

Holder	Description	Remarks
	<p><u>Wafer Carrier</u></p> <p><b>Principal &amp; only use :</b></p> <ul style="list-style-type: none"><li>• PDMS wet bench desiccator</li></ul> <p><b>Material :</b></p> <ul style="list-style-type: none"><li>• PTFE</li></ul> <p><b>Compatibility : 4 inch wafers</b></p>	

# Z 14

Holder	Description	Remarks
	<p><u>PTFE Large breaker</u></p> <p><b>Principal use :</b></p> <ul style="list-style-type: none"><li>• Wet etching involving HF</li></ul> <p><b>Material :</b></p> <ul style="list-style-type: none"><li>• PTFE</li></ul> <p><b>Compatibility:</b></p> <ul style="list-style-type: none"><li>• Chips only, not adapted for 4 inch wafers</li></ul>	<p>For long etching It has to be covered using a PTFE watch cover:</p> 



**PTFE Small beaker**

**Principal use :**

- Wet etching involving HF

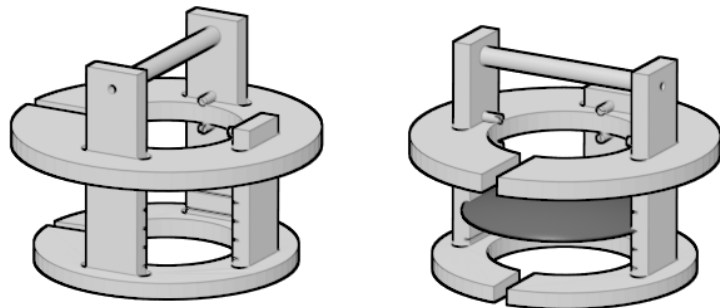
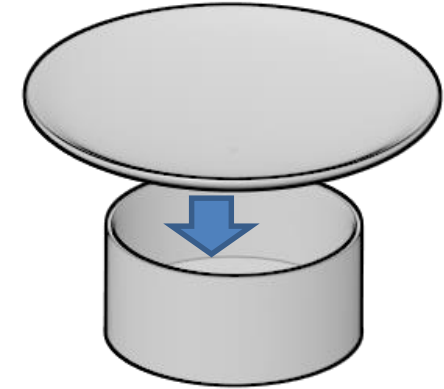
**Material :**

- PTFE

**Compatibility:**

- chips

For long etching It has to be covered using a PTFE watch cover:



**PTFE Small beaker**

**Principal use :**

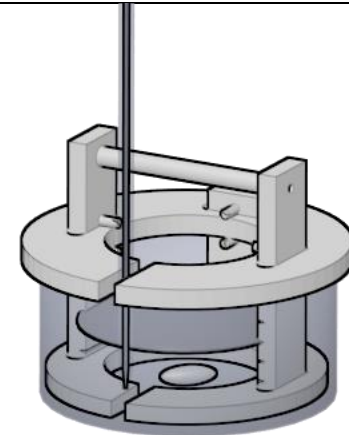
- Wet etching (except HF)

**Material :**

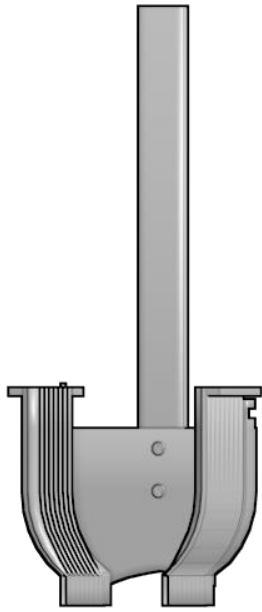
- PTFE

**Compatibility:**

- 4 inch wafer only



This device is adapted for Ø140 mm **glass** beaker. Since it is glass no HF process are allowed with it.the 4wafers maximum



### Wafer Carrier

**Principal use :**

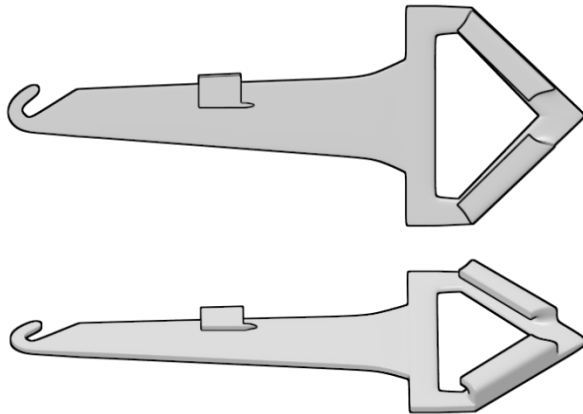
- Piranha
- UFT remover
- BHF (7:1)
- Plade Metal (ANP, Ti etch, Silox, Poly etch)

**Material :**

- PTFE

**Compatibility:**

- 4 inch wafer only



### PTFE Arrow (small)

**Principal use :**

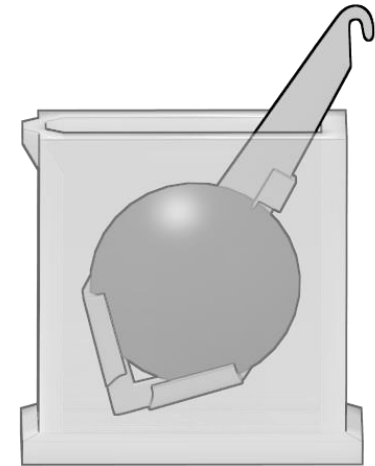
- Wet etching

**Material :**

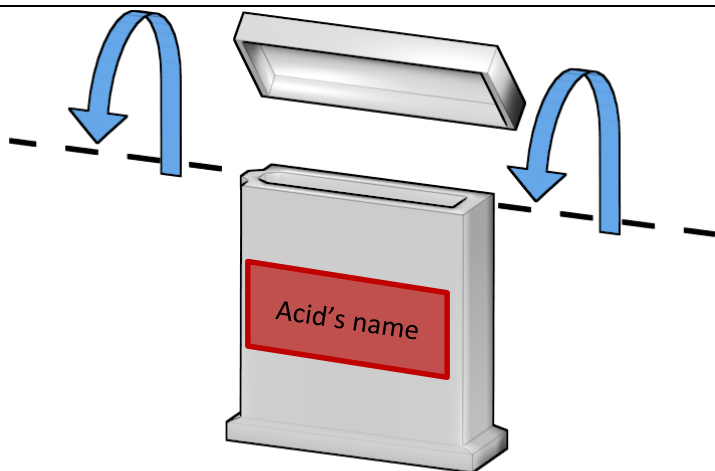
- PTFE

**Compatibility:**

- 4 inch wafers only



This system is paired with this rectangular container.  
The maximum volume is 200mL.



If you are planning to re-use the acid, you have to cover the container with the correct lid.

This rectangle cylinder has to be named following the acid which is in it.

To avoid acid mixin, in Z5, There is for each chemical, this kind of container.